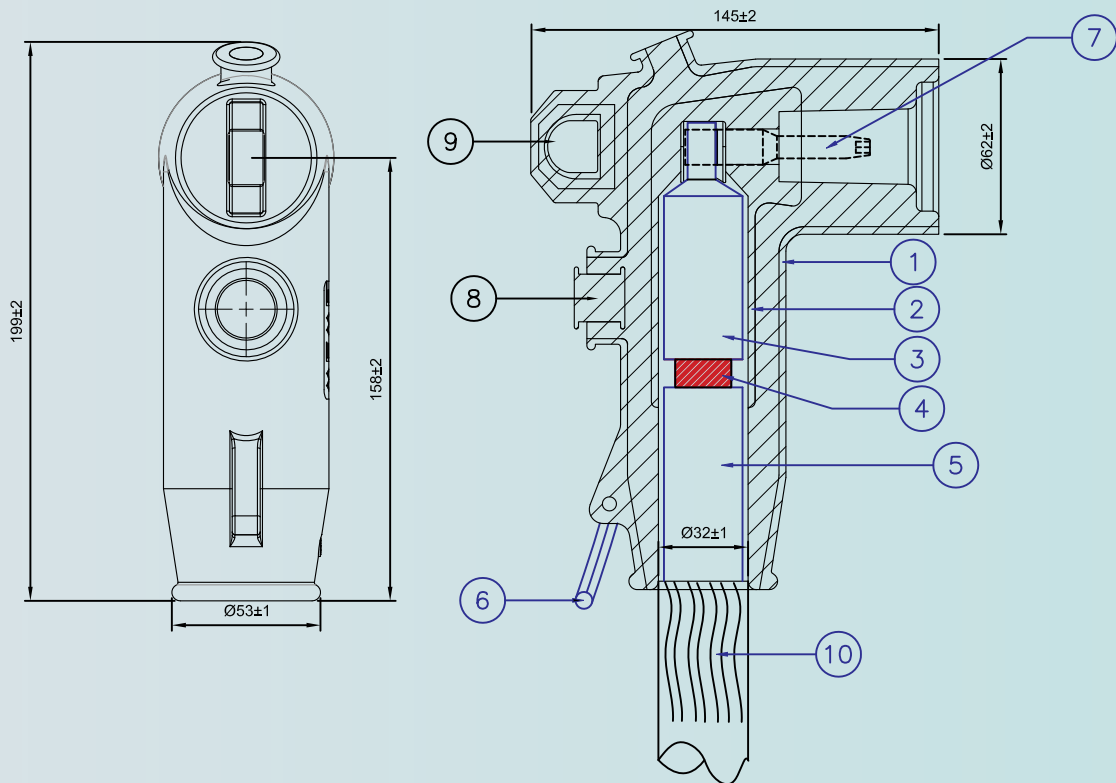


TECHNICAL DATA SHEET

MEMF Screened, Separable Elbow Connection System for cable Cross Sections (25 mm^2 to 150 mm^2), 250A up to 17.5kV.

DESIGN AND CONSTRUCTION



ITEM	QTY	UNIT	DESCRIPTION	MATERIAL
1	1	NOS	CONDUCTIVE OUTER SCREEN BODY	SEMI CONDUCTIVE EPDM
2	1	NOS	CONDUCTIVE INNER SCREEN BODY	SEMI CONDUCTIVE EPDM
3	1	NOS	COMPRESSION OR MECHANICAL LUGS	COPPER /ALUMINUM / BIMETALLIC
4	1	NOS	CABLE CONDUCTORS	COPPER/ALUMINUM
5	1	NOS	STRESS CONE CABLE ADAPTER & JACKET SEAL	ASSEMBLY PART
6	1	NOS	EARTHING EYE & GROUNDED LEAD	ASSEMBLY PART
7	1	NOS	COMPRESSION CONTACT PIN	MS
8	1	NOS	CAPACITIVE TEST POINT	ASSEMBLY PART
9	1	NOS	LIFTING EYE	SEMI CONDUCTIVE EPDM
10	1	NOS	UNDER GROUND CABLE -35 TO 150mm ² (CONDUCTOR CROSS SECTION)	ASSEMBLY PART

TECHNICAL DATA

VOLTAGE RATING & CHARACTERISTICS

Description

Rated Voltage (U0/U)	8.7/15kV
Highest System Voltage (Um)	17.5kV
AC Voltage Withstand 5 Minute	39kV
DC Voltage Withstand 15 Minute	35kV
Basic Impulse Voltage level	95kV
Partial Discharge	<10pC@15kV

CURRENT RATING & CHARACTERISTICS

Continuous Current Rating	250A
Short Time Current Rating	25kA Sym.@duration 0.17S or 10kA Sym.@duration 3S.

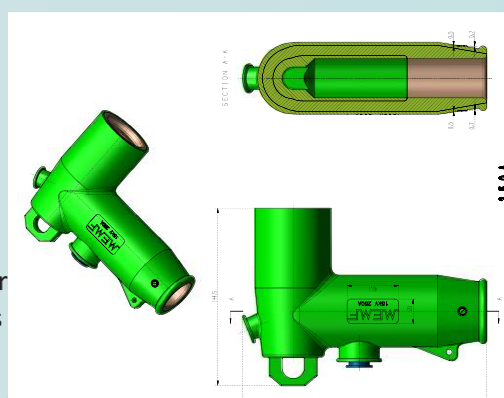
Electrical characteristics are in accordance with or exceed DIN 47636 and IEC60502-4 standards

Elbow Connector Adaptor Table

Cable Cross section	OD:φ32mm, Hight:80mm	
8.7/15kV cable	Adaptor ID (mm)	Cable Insulation Diameter (mm)
25mm ²	φ14	16~20
35mm ²		
50mm ²		
70mm ²		
95mm ²	φ18	21~23.5
120mm ²		
150mm ²		
	φ20	24~26

FEATURES

- Design fits 250A bushings (Interface "A") as specified by EN 50180 and EN 50181.
- The wide application range covers cable cross sections from 25 to 150 mm².
- Easily accessible rear plug with capacitive test point.
- Hybrid material design for excellent mechanical and electrical performance.
- Made of a combination of durable EPDM rubber for the outer body and highly modified silicone rubber for the inner insulation, connectors are equally suited for indoor and outdoor installations even in harshest environments while offering superior electrical performance.
- The separable connectors are screened by an earthed outer conductive layer that ensures a safe and reliable operation.



MEMF شركة ميمف للصناعات الكهربائية
MEMF Electrical Industries Co.

P.O. Box 355989 Riyadh 11383 Kingdom of Saudi Arabia

Factory Tel.: 00 966 11 265 0515 (8 Lines)-Fax.: 00 966 11 265 0360

Head Office Tel. : 00 966 11 496 6667 - Fax. : 00 966 11 491 7919

ص.ب ٣٥٥٩٨٩ الرياض ١١٣٨٣ المملكة العربية السعودية

مصنع هاتف: ٠٠ ٩٦٦ ١١ ٢٦٥ ٠٥١٥ (٨ خطوط) - فاكس: ٠٠ ٩٦٦ ١١ ٢٦٥ ٠٣٦٠

مكتب الرنييمي هاتف: ٠٠ ٩٦٦ ١١ ٤٩٦٦٦٦٧ - فاكس: ٠٠ ٩٦٦ ١١ ٤٩١٧٩١٩

Web site: www.memf.com.sa

البريد الإلكتروني sales.memf@kfbgroup.com.sa