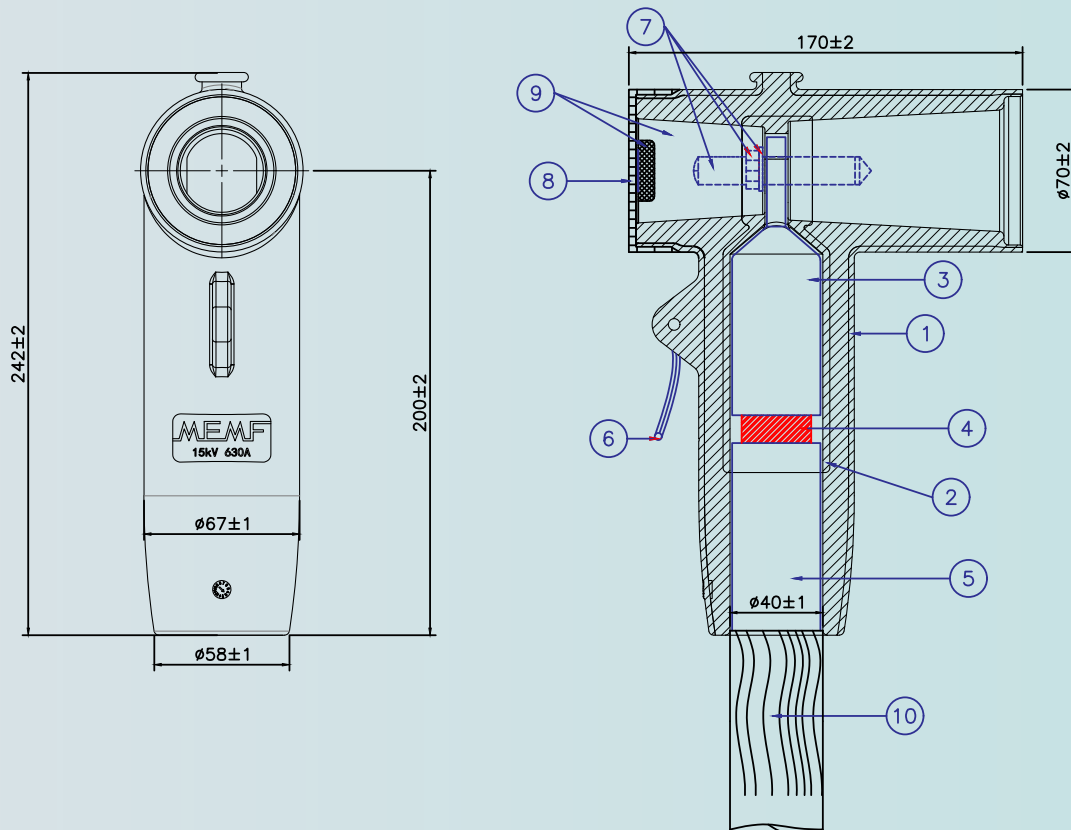


## TECHNICAL DATA SHEET

# MEMF SCREENED, SEPARABLE CONNECTION SYSTEM FOR LARGE CROSS SECTIONS (25 mm<sup>2</sup> to 500 mm<sup>2</sup>), 630A up to 17.5kV.

## DESIGN AND CONSTRUCTION



ITEM	QTY	UNIT	DESCRIPTION	MATERIAL
1	1	NOS	CONDUCTIVE OUTER SCREEN BODY	SEMI CONDUCTIVE DPDM
2	1	NOS	CONDUCTIVE INNER SCREEN BODY	SEMI CONDUCTIVE DPDM
3	1	NOS	COMPRESSION OR MECHANICAL LUGS	COPPER /ALUMINUM / BIMETALLIC
4	1	NOS	CABLE CONDUCTORS	COPPER/ALUMINIUM
5	1	NOS	STRESS CONE CABLE ADAPTER & JACKET SEAL	ASSEMBLY PART
6	1	NOS	EARTHING EYE & GROUNDED LEAD	ASSEMBLY PART
7	1	NOS	THREADED PIN TOGETHER WITH SPRING WASHER & HEX NUT	MS
8	1	NOS	CONDUCTIVE END CAP	SEMI CONDUCTIVE EPDM
9	1	NOS	INSULATING PLUG WITH TEST POINT	ASSEMBLY PART
10	1	NOS	UNDER GROUND CABLE-35 TO 500MM2 (CONDUCTOR CROSS SECTION)	ASSEMBLY PART

# TECHNICAL DATA

## VOLTAGE RATING & CHARACTERISTICS

### Description

Rated Voltage (U0/U)	8.7/15kV
Highest System Voltage (Um)	17.5kV
AC Voltage Withstand 5 Minute	39kV
DC Voltage Withstand 15 Minute	35kV
Basic Impulse Voltage level	95kV
Partial Discharge	<10pC@15kV

## CURRENT RATING & CHARACTERISTICS

Continuous Current Rating	250A
Short Time Current Rating	25kA Sym.@duration 0.17S or 10kA Sym.@duration 3S.

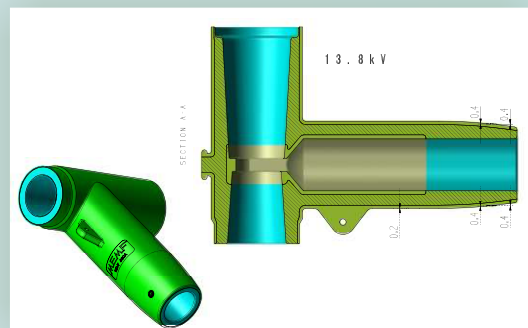
**Electrical characteristics are in accordance with or exceed DIN 47636 and IEC60502-4 standards**

## CABLE ADAPTER TABLE

Cable Cross section	Adaptor OD:φ40mm, Hight:95mm	
8.7/15kV cable	Adaptor ID: (mm)	Cable Insulation Diameter(mm)
25mm <sup>2</sup>	φ14	1~20
35mm <sup>2</sup>		
50mm <sup>2</sup>		
70mm <sup>2</sup>		
95mm <sup>2</sup>	φ18	21~25
120mm <sup>2</sup>		
150mm <sup>2</sup>		
185mm <sup>2</sup>	φ22	26~29
240mm <sup>2</sup>		
300mm <sup>2</sup>	φ27	30~37
400mm <sup>2</sup>		
500mm <sup>2</sup>		

## FEATURES

- Design fits 400A and 630A bushings (Interface "C1 Applications" and "C") as specified by EN 50180 and EN 50181.
- The compact design supports the use of double "T" connections inside standard terminal boxes.
- The wide application range covers cable cross sections from 25 to 500 mm<sup>2</sup>.
- Easily accessible rear plug with capacitive test point.
- Hybrid material design for excellent mechanical and electrical performance.
- Made of a combination of durable EPDM rubber for the outer body and highly modified silicone rubber for the inner insulation, connectors are equally suited for indoor and outdoor installations even in harshest environments while offering superior electrical performance.
- The separable connectors are screened by an earthed outer conductive layer that ensures a safe and reliable operation.



**MEMF** شركة ميمف للصناعات الكهربائية  
MEMF Electrical Industries Co.

P.O. Box 355989 Riyadh 11383 Kingdom of Saudi Arabia

Factory Tel.: 00 966 11 265 0515 (8 Lines)-Fax.: 00 966 11 265 0360

Head Office Tel. : 00 966 11 496 6667 - Fax. : 00 966 11 491 7919

ص.ب ٣٥٥٩٨٩ الرياض ١١٣٨٣ المملكة العربية السعودية

مصنع هاتف: ٠٠٩٦٦ ١١ ٢٦٥ ٠٥١٥ (٨ خطوط) - فاكس: ٠٠٩٦٦ ١١ ٢٦٥ ٠٣٦٠

مكتب الرنيمى هاتف: ٠٠٩٦٦ ١١ ٤٩٦٦٦٦٧ - فاكس: ٠٠٩٦٦ ١١ ٤٩١٧٩١٩

Web site: [www.memf.com.sa](http://www.memf.com.sa)

البريد الإلكتروني [sales.memf@kfbgroup.com.sa](mailto:sales.memf@kfbgroup.com.sa)