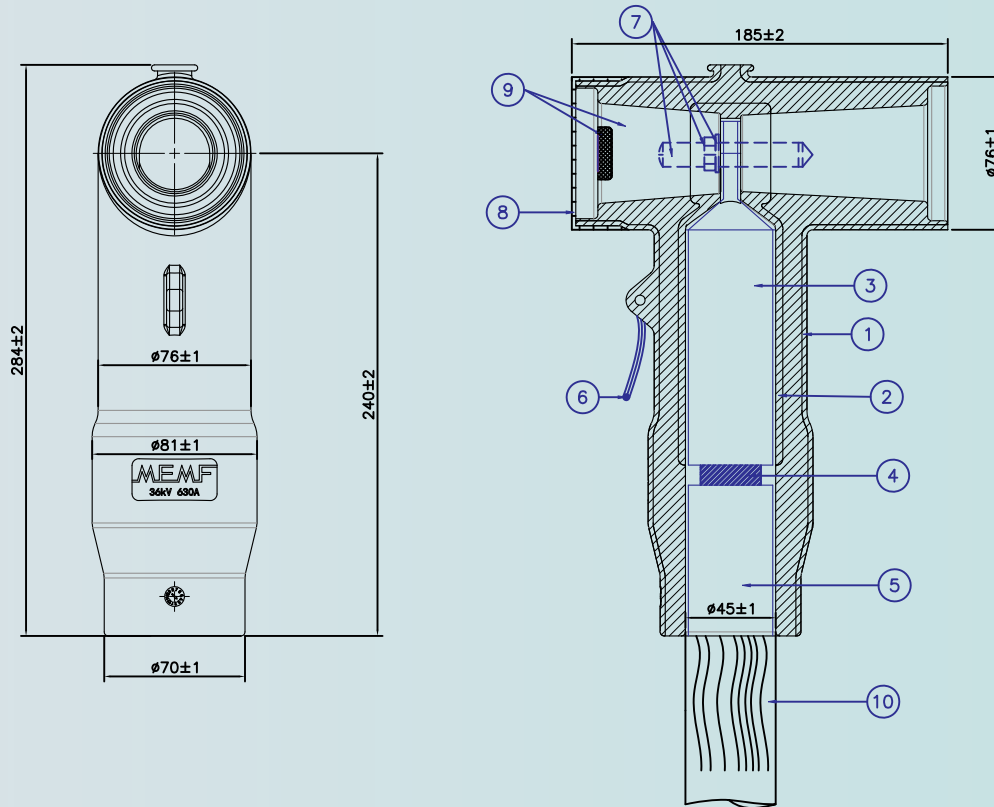


TECHNICAL DATA SHEET

MEMF Screened, Separable Connection System for Large Cross Sections (25 mm² to 500 mm²), 630A up to 36kV.

DESIGN AND CONSTRUCTION



ITEM	QTY	UNIT	DESCRIPTION	MATERIAL
1	1	NOS	CONDUCTIVE OUTER SCREEN BODY	SEMI CONDUCTIVE EPDM
2	1	NOS	CONDUCTIVE INNER SCREEN BODY	SEMI CONDUCTIVE EPDM
3	1	NOS	COMPRESSION OR MECHANICAL LUGS	COPPER /ALUMINUM / BIMETALLIC
4	1	NOS	CABLE CONDUCTORS	COPPER/ALUMINUM
5	1	NOS	STRESS CONE CABLE ADAPTER & JACKET SEAL	ASSEMBLY PART
6	1	NOS	EARTHING EYE & GROUNDED LEAD	ASSEMBLY PART
7	1	NOS	THREADED PIN TOGETHER WITH SPRING WASHER & HEX NUT	MS
8	1	NOS	CONDUCTIVE END CAP	SEMI CONDUCTIVE EPDM
9	1	NOS	INSULATING PLUG WITH TEST POINT	ASSEMBLY PART
10	1	NOS	UNDER GROUND CABLE -35 TO 500mm ² (CONDUCTOR CROSS SECTION)	ASSEMBLY PART

TECHNICAL DATA

VOLTAGE RATING & CHARACTERISTICS

Description

Rated Voltage (U0/U)	18/30kV
Highest System Voltage (Um)	36kV
AC Voltage Withstand 5 Minute	81kV
DC Voltage Withstand 15 Minute	72kV
Basic Impulse Voltage level	170kV
Partial Discharge	<10pC@30kV

CURRENT RATING & CHARACTERISTICS

Continuous Current Rating	630A
Short Time Current Rating	25kA Sym.@duration 1.7S.

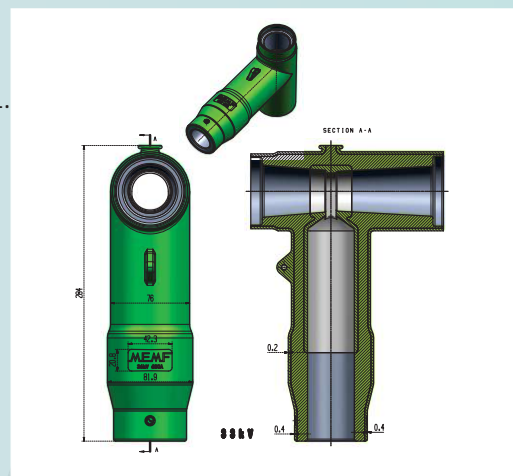
Electrical characteristics are in accordance with or exceed DIN 47636 and IEC60502-4 standards

CABLE ADAPTER TABLE

Cable Cross section	Adaptor OD:φ46, Height:105mm	
18/30kV cable	Adaptor ID: (mm)	Cable Insulation Diameter(mm)
25mm ²	φ19	22~25
35mm ²		
50mm ²	φ23	26~30
70mm ²		
95mm ²		
120mm ²	φ26	30~34
150mm ²		
185mm ²		
240mm ²	φ30	36~39
300mm ²		
400mm ²	φ34	40~45
500mm ²		

FEATURES

- Design fits 400A and 630A bushings (Interface "C1 Applications" and "C") as specified by EN 50180 and EN 50181.
- Hybrid material design for excellent mechanical and electrical performance.
- Reliable operation even under harsh environmental conditions.
- Made of a combination of durable EPDM rubber for the outer body and highly modified silicone rubber for the inner insulation, connectors are equally suited for indoor and outdoor installations even in harshest environments while offering superior electrical performance.
- The separable connectors are screened by an earthed outer conductive layer that ensures a safe and reliable operation.



MEMF شركة ميمف للصناعات الكهربائية
MEMF Electrical Industries Co.

P.O. Box 355989 Riyadh 11383 Kingdom of Saudi Arabia

Factory Tel.: 00 966 11 265 0515 (8 Lines)-Fax.: 00 966 11 265 0360

Head Office Tel. : 00 966 11 496 6667 - Fax. : 00 966 11 491 7919

ص.ب ٣٥٥٩٨٩ الرياض ١١٣٨٣ المملكة العربية السعودية

مصنع هاتف: ٠٠٩٦٦ ١١ ٢٦٥ ٠٥١٥ (٨ خطوط) - فاكس: ٠٠٩٦٦ ١١ ٢٦٥ ٠٣٦٠

مكتب الرنييمي هاتف: ٠٠٩٦٦ ١١ ٤٩٦٦٦٦٧ - فاكس: ٠٠٩٦٦ ١١ ٤٩١٧٩١٩

Web site: www.memf.com.sa

البريد الإلكتروني sales.memf@kfbgroup.com.sa