

Kumait

CONCRETE POLES FACTORY



Electricity Transmission and Distribution



Prestressed spun concrete pole has proven to be economical and corrosion free. Every pole is well-engineered and make to meet the highest standard. Our experience engineers can design the poles to your requirement.



Small Cell Poles for 4G and 5G



When you're in the business of connecting people through 4G and 5G technology, poles are only one part of your significant project scope. Our industry experts have aided in the creation of engineering, aesthetic, and design standards for lighting, telecommunications, and multi-use structures. Let our dedicated team expertly guide you through the process and support your project delivery on time and on budget.

Designed with unique aggregates to blend with any environment, our spun-cast concrete small cell poles conform to your architectural requirements and provide a durable, environmentally friendly solution to keep connectivity uninterrupted.

Telecommunication Tower



In the telecommunication business, we can build taller poles and with camouflage to cater for the local needs. The aesthetic looking of the pole makes it easier to blend into the surrounding environment.

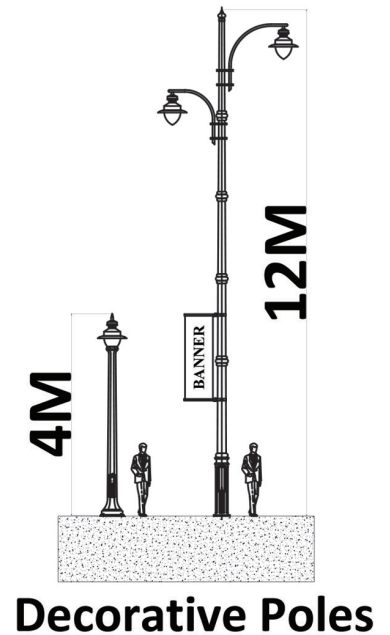
These poles are corrosion free, hence suitable for all harsh and extreme environment.

The erection of the pole and tower is quick and economical.

Decorative Poles

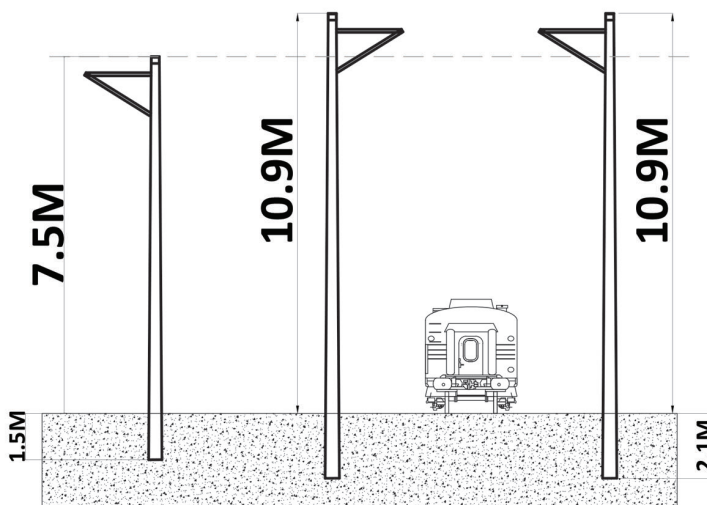
Our decorative prestressed, spun-cast concrete lighting poles are ideal for street lighting, recreational areas, parking lots, park security, and walkways. These strong, durable poles are available in optional colour finishes that blend with the environment.

- Application can be post top or mast arm.
- The concrete shafts are lightly blasted to expose the texture and beauty of the natural aggregates while maintaining sharp definition of details and patterns.



Catenary Poles for Electric Train

Electric train will be the future train as environmental concern is raising. Our catenary olsfr electric train provide perfect solutions to our clientsThe special characteristic of our catenary poles makes it perfect electric insulators, hence making the pole easier for earthing design. Our experience engineers will design poles to suit your requirement.



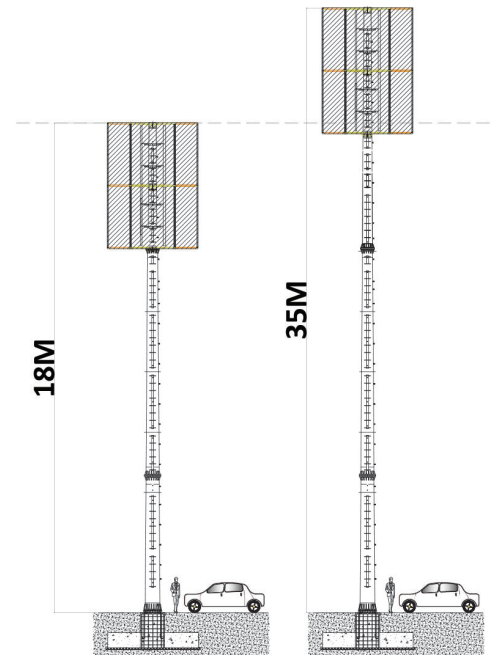
Catenary Poles for Electric Train



Advertisement Poles



Our prestressed spun cast concrete poles has much higher loading capacity compares to steel. It allows the pole to take greater loading and bigger billboard. The esthetic looking of the poles makes it matching the design seamlessly.

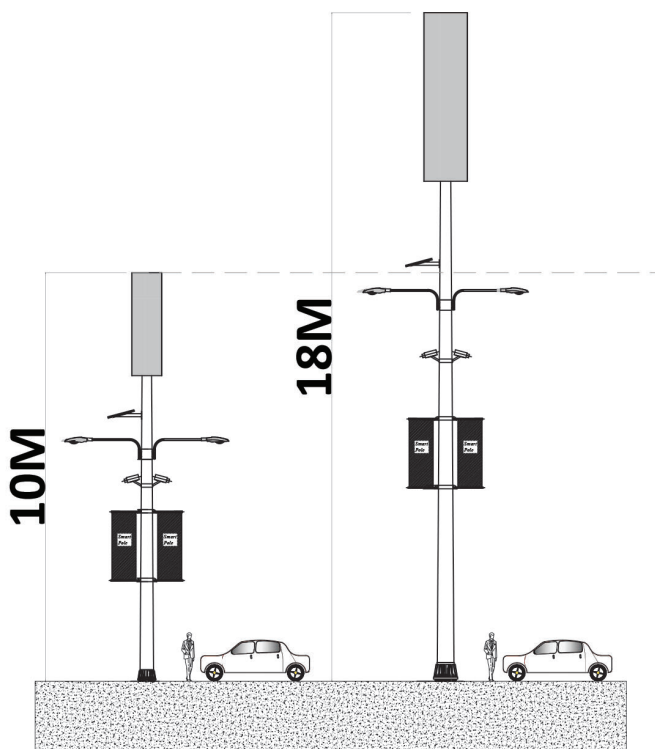


Advertisement Poles

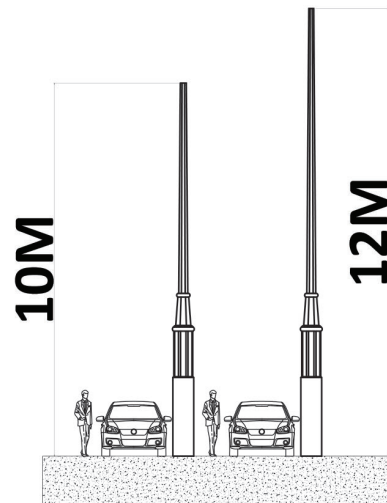


Electric Car Charging Station

We can also design a pole for electric car. This pole comes with big opening to allow the charging station fitted perfectly into the pole while also providing street lighting purpose. Our counterpart in USA has successfully implemented this project, and we will bring this to Kingdom of Saudi Arabia.



Small Cell Poles for 4g & 5G



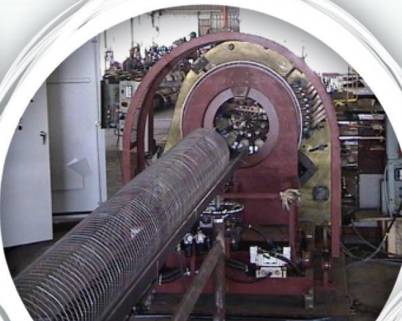
Electric Car Charging Station

Kumait

CONCRETE POLES FACTORY



Concrete batching



Automatic wire cage



Pre-stress



Spinning



Concrete feeding



Steam curing



Demolding



Ready for stockyard

Kumait

CONCRETE POLES FACTORY

Khalid Bin Waleed Street | Above e-mart showroom
PO Box 46091 | Riyadh 11532 | Kingdom of Saudi Arabia
Tel: +966-11-2325555 | Fax:- +966-11-2288086
info.kumait@kfbgroup.com.sa
www.Kumait.com.sa